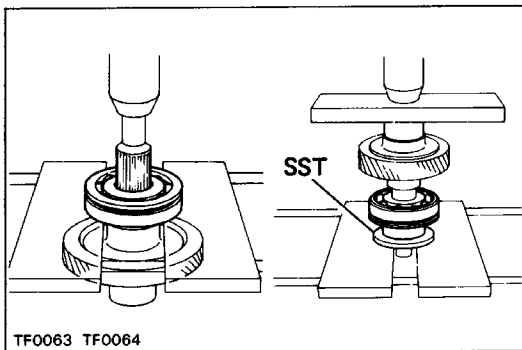
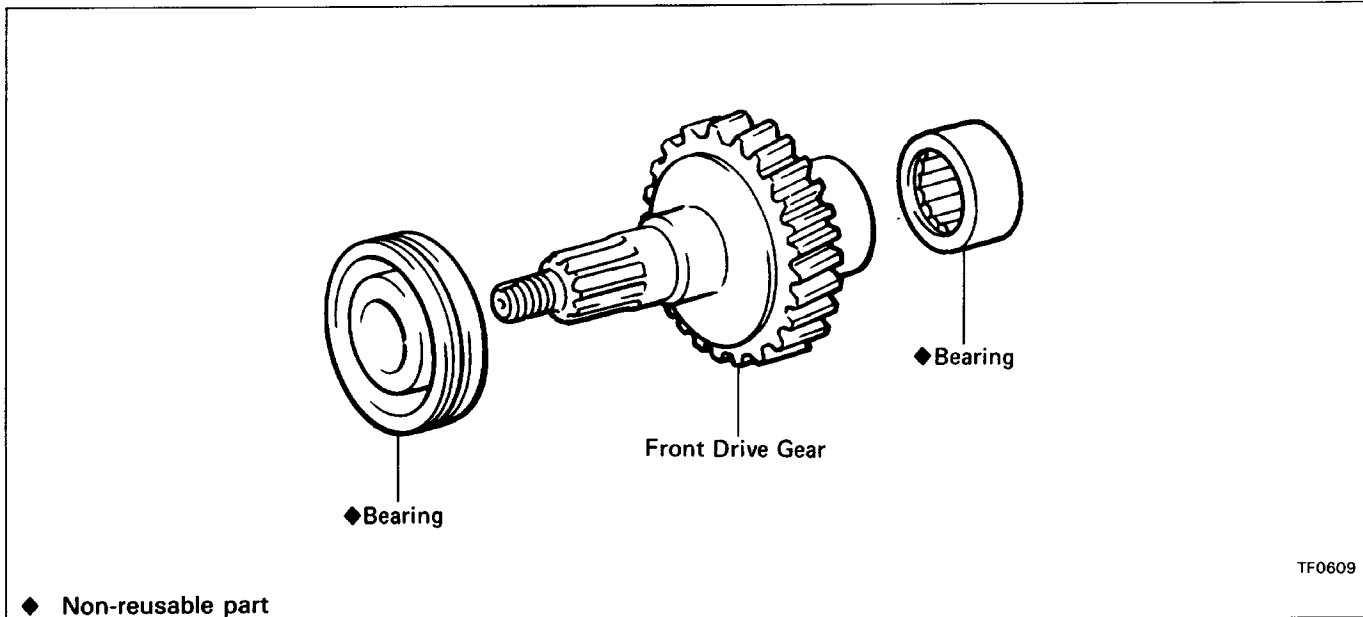


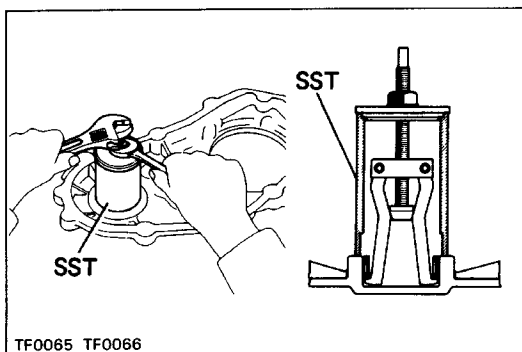
Front Drive Gear COMPONENTS



REPLACEMENT OF BEARINGS

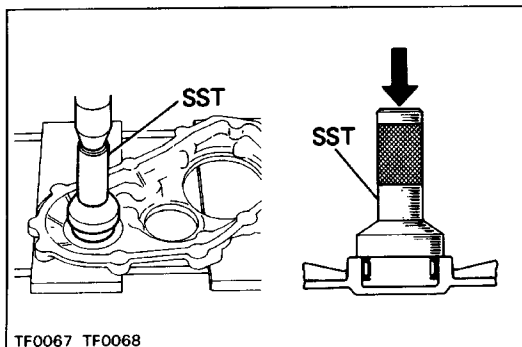
1. IF NECESSARY, REPLACE FRONT DRIVE GEAR FRONT BEARING

- (a) Press out the bearing.
- (b) Using SST and a press, press in a new bearing.
SST 09316-60010 (09316-00020)



2. IF NECESSARY, REPLACE FRONT DRIVE GEAR REAR BEARING

- (a) Using SST, remove the bearing.
SST 09612-30012



- (b) Using SST and a press, press in a new bearing.
SST 09310-3 5010