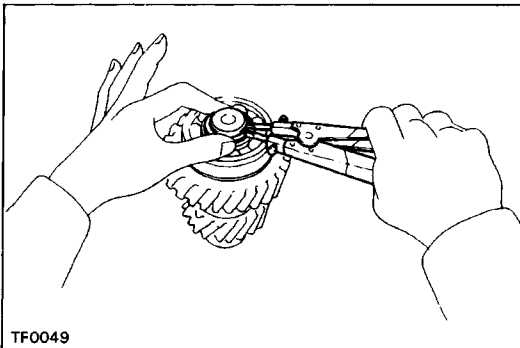
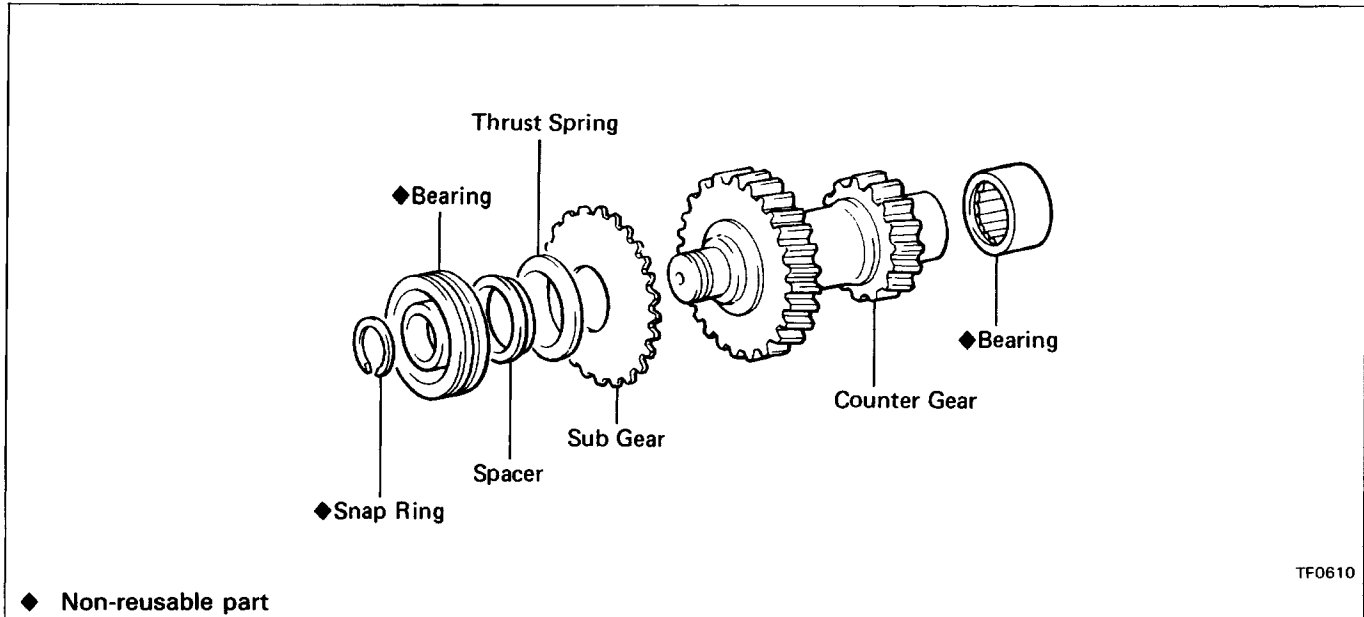


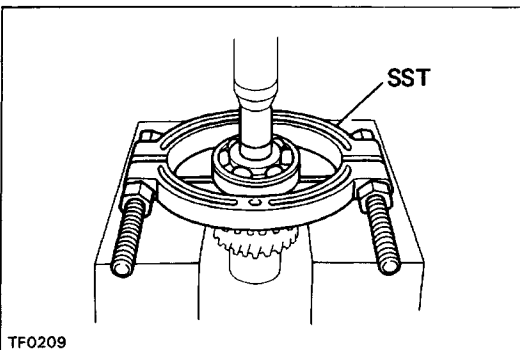
## Counter Gear COMPONENTS



### REPLACEMENT OF BEARINGS

#### 1. IF NECESSARY, REPLACE COUNTER GEAR FRONT BEARING AND SUB GEAR

(a) Using snap ring pliers, remove the snap ring.

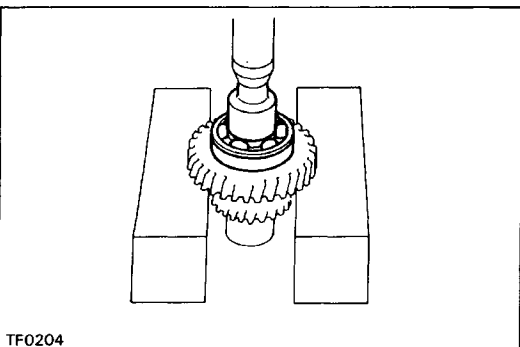


(b) Using SST and a press, remove the bearing.

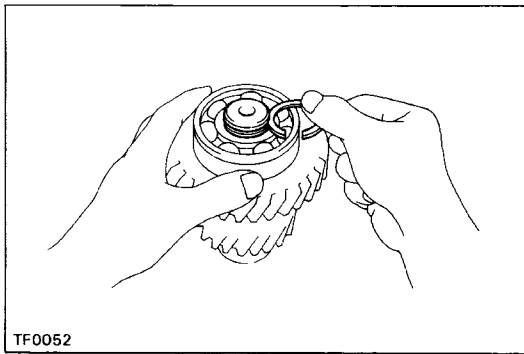
SST 09950-00020

(c) Remove the spacer, thrust spring and sub gear.

(d) Install the sub gear, thrust spring and spacer on the counter gear.



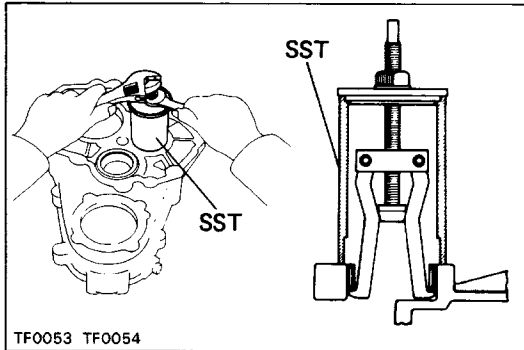
(e) Using a press and 32 mm socket wrench, install a new bearing.



(f) Select a snap ring that will allow minimum axial play and install it on the shaft.

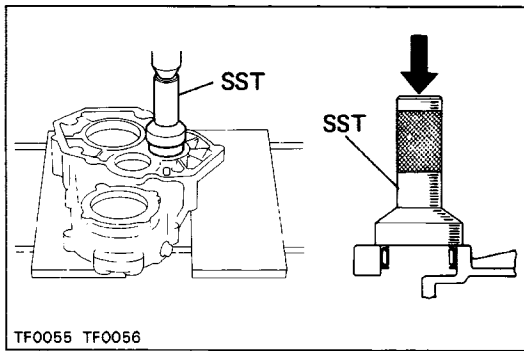
**Maximum play: 0.15 mm (0.0059 in. )**

Mark	Thickness	mm (in.)
1	2.10 - 2.15	(0.0827 - 0.0846)
3	2.20 - 2.25	(0.0866 - 0.0886)



**2. IF NECESSARY, REPLACE COUNTER GEAR REAR BEARING**

(a) Using SST, remove the bearing.  
SST 09612-30012



(b) Using SST and a press, press in a new bearing.  
SST 09310-35010