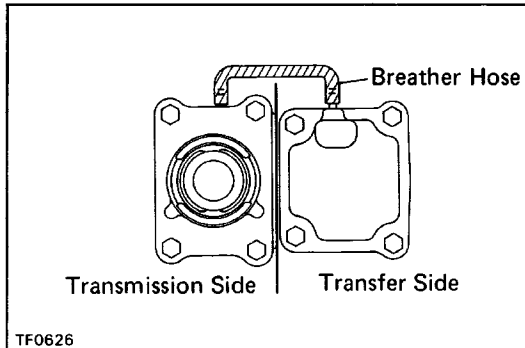


REMOVAL OF TRANSFER

1. REMOVE TRANSFER WITH TRANSMISSION

MT – See pages MT-14 to 25

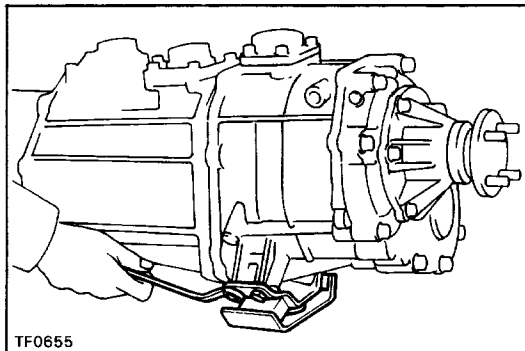
AT – See pages [AT-210](#) and 211



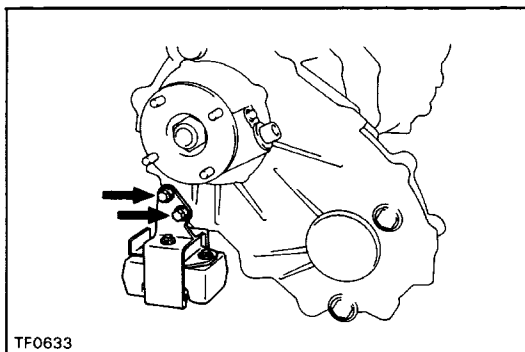
2. (22R-E1G58, A340F)

REMOVE BREATHER HOSE

Disconnect the breather hose from transfer upper cover and transmission control retainer.

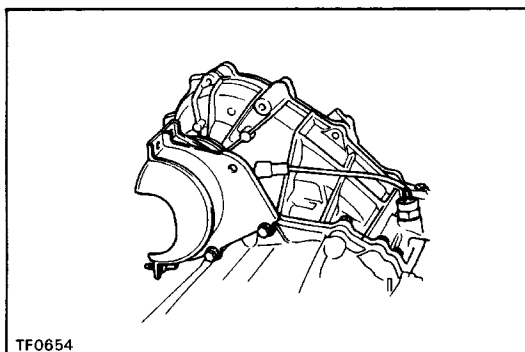


3. REMOVE ENGINE REAR MOUNTING



4. (Regular Cab w/ VF1A Type Transfer)

REMOVE DYNAMIC DAMPER



5. REMOVE PROPELLER SHAFT UPPER DUST COVER AND TRANSFER FROM TRANSMISSION

(a) Remove the dust cover bolt from the bracket.

(b) Remove the transfer adaptor rear mounting bolts.

(c) Pull the transfer straight up and remove it from the transmission.

HINT: Take care not to damage the adaptor rear oil seal with the transfer input gear spline.