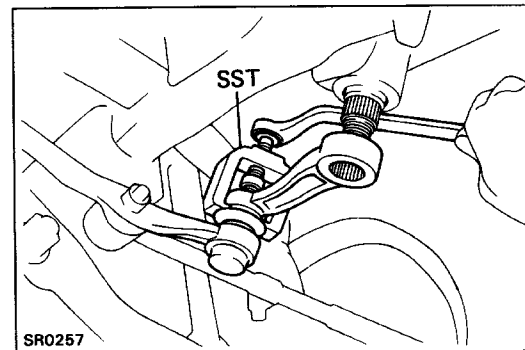
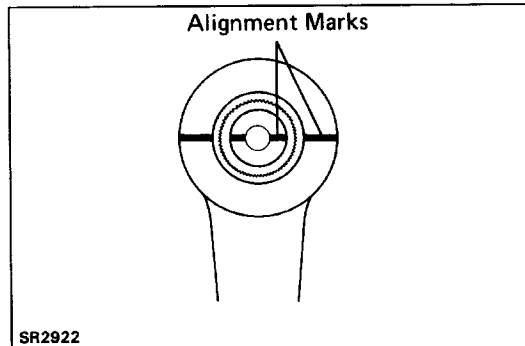


(MAIN POINTS OF REMOVAL AND INSTALLATION)

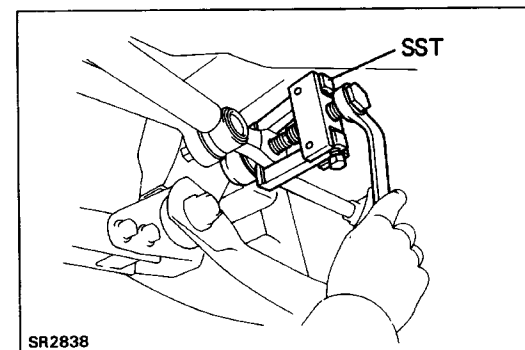
1. DISCONNECT AND CONNECT PITMAN ARM FROM/TO SECTOR SHAFT

- (a) Loosen the pitman arm nut.
- (b) Using SST, disconnect the pitman arm from the sector shaft.
SST 09610-55012
- (c) When connecting, align alignment marks on the pitman arm and the sector shaft, and install the spring washer and nut.



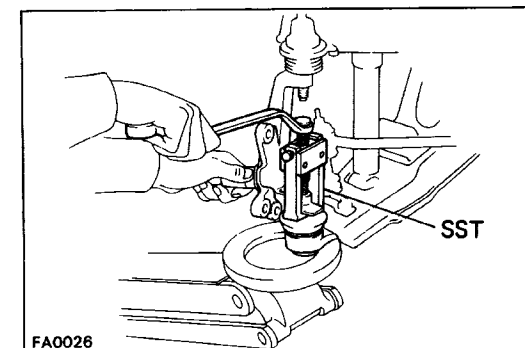
2. DISCONNECT PITMAN ARM FROM RELAY ROD

- Using SST, disconnect the pitman arm from the relay rod.
SST 09611-22012



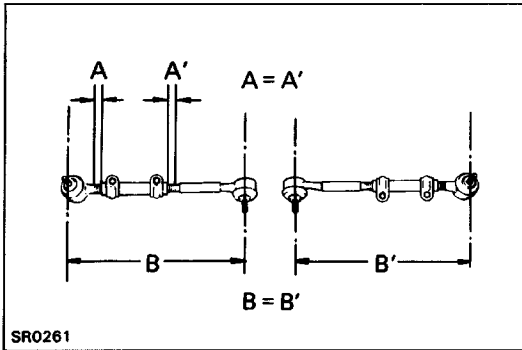
3. DISCONNECT TIE ROD FROM RELAY ROD

- Using SST, disconnect the tie rod from the relay rod.
SST 09628-62011



4. DISCONNECT TIE ROD FROM KNUCKLE ARM

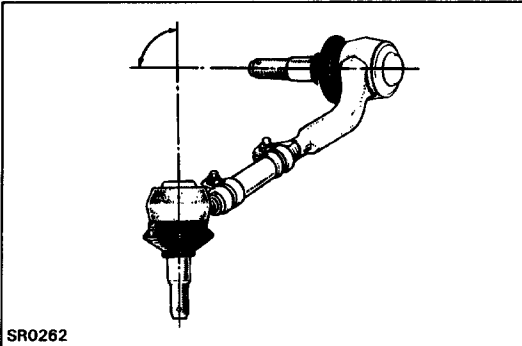
- (a) Remove the front axle hub. (See page [SA-11](#))
- (b) Using SST, disconnect the tie rod from the knuckle arm.
SST 09628-62011



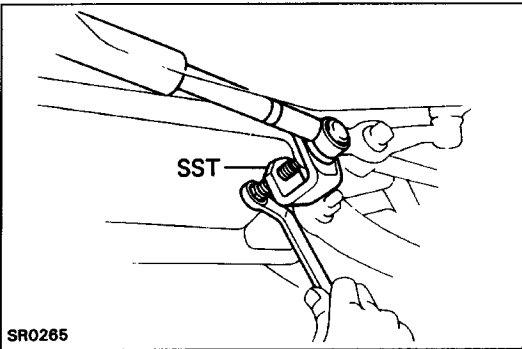
5. CONNECT TIE ROD

- (a) Screw the tie rod ends into the tie rod.

HINT: The tie rod length should be approximately 314.5 mm (12.382 in.), and the remaining length of threads on both tie rod ends should be equal.



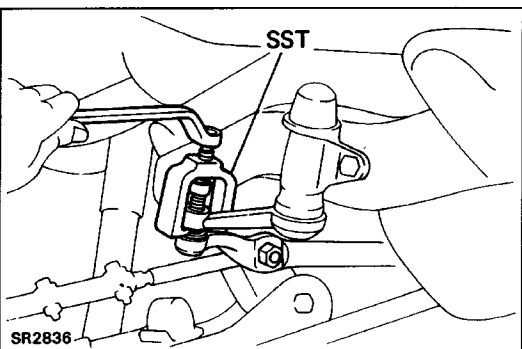
- (b) Turn the tie rods so that they cross at about 90 degrees. And connect it.



6. DISCONNECT STEERING DAMPER FROM RELAY ROD

Using SST, disconnect the steering damper from the relay rod.

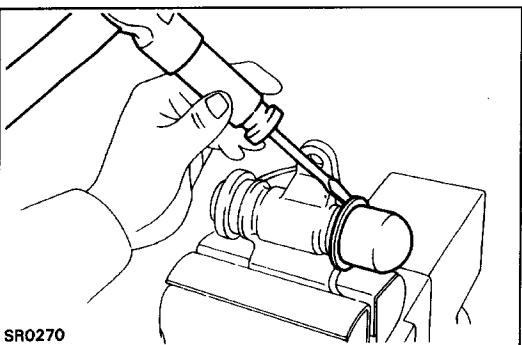
SST 09611-12010



7. DISCONNECT IDLER ARM FROM RELAY ROD

Using SST, disconnect the idler arm from the relay rod.

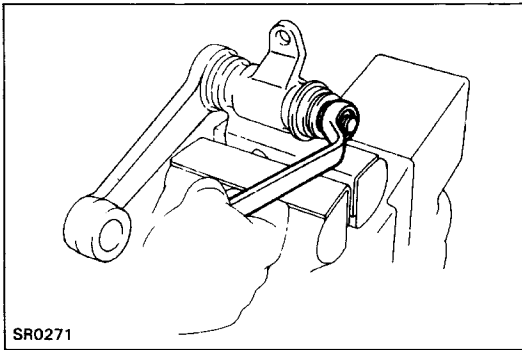
SST 09611-22012



DISASSEMBLY OF IDLER ARM BRACKET

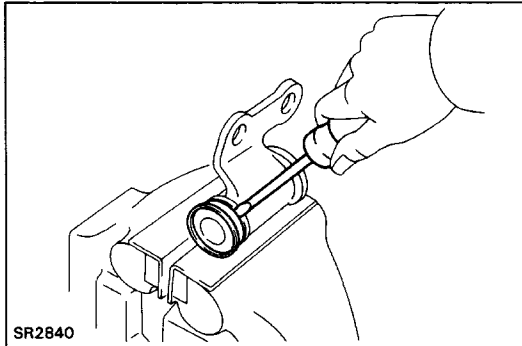
1. REMOVE IDLER ARM BRACKET CAP

Using a screwdriver and hammer, remove the idler arm bracket cap.



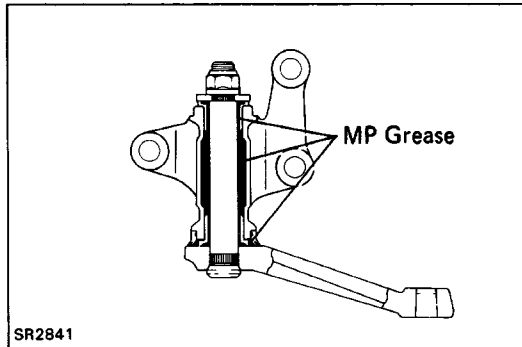
2. REMOVE IDLER ARM WITH SHAFT

Remove the nut and pull the idler arm with the shaft off the idler arm bracket.



3. REMOVE OIL SEAL

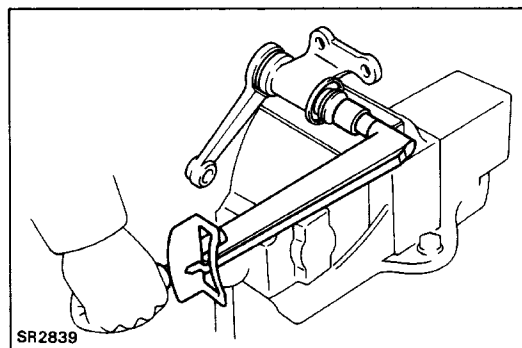
Using a screwdriver, remove the oil seal.



ASSEMBLY OF IDLER ARM BRACKET

1. INSTALL NEW OIL SEAL

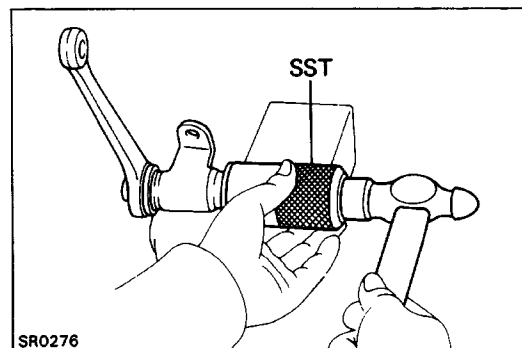
2. APPLY NIP GREASE



3. INSTALL IDLER ARM BRACKET

- Insert the idler arm shaft to the bracket.
- Install the washer and nut.

Torque: 78 N-m (800 kgf-cm, 58 ft-lbf)



4. INSTALL IDLER ARM BRACKET CAP

- Apply sealant to the cap end.

Sealant: Part No. 08826-00090, THREE BOND 1281 or equivalent

- Using SST, install the idler arm bracket cap.
- SST 09636-20010