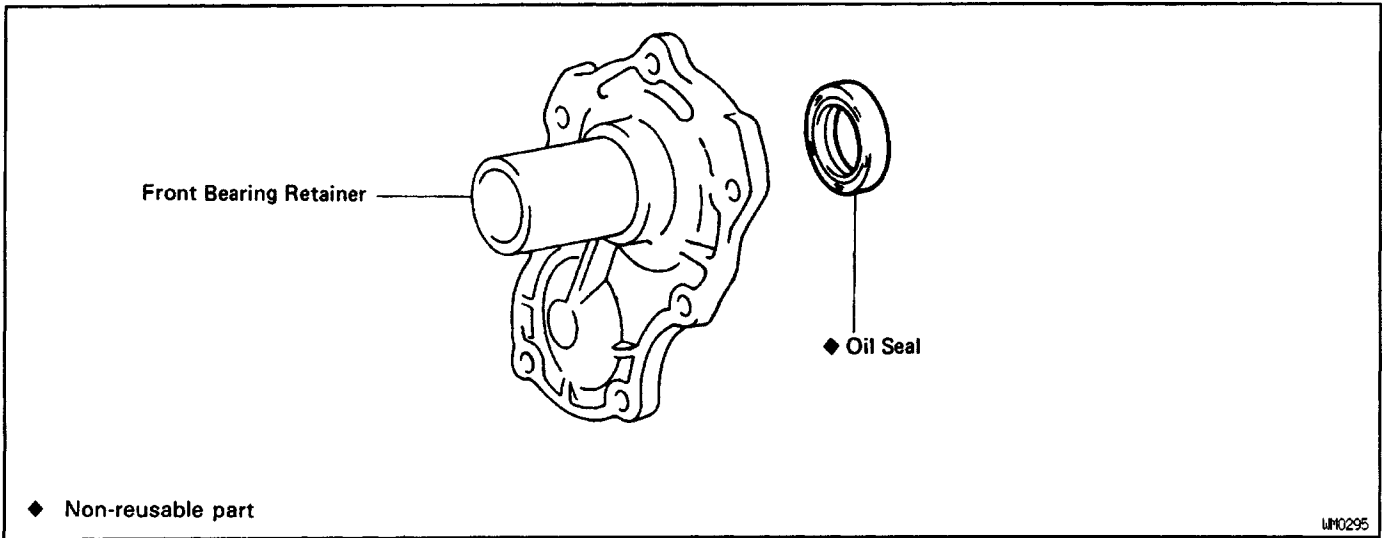
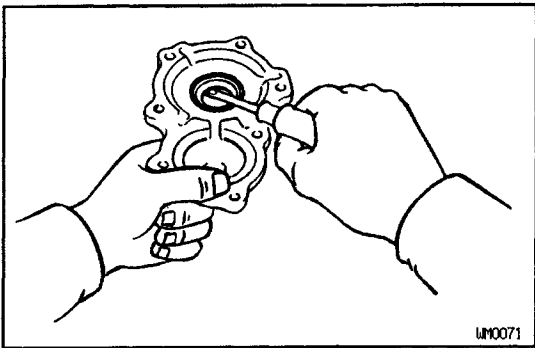


# FRONT BEARING RETAINER COMPONENT

MT00T-01



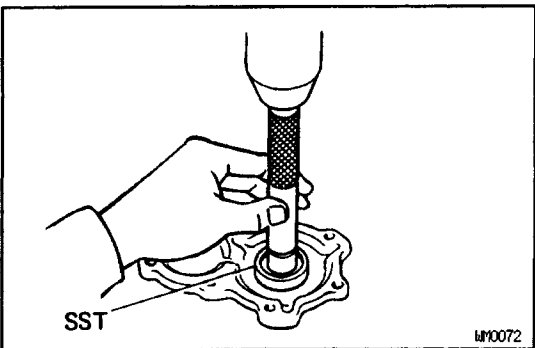
MT00U-02



## OIL SEAL REPLACEMENT

IF NECESSARY, REPLACE FRONT BEARING RETAINER OIL SEAL

(a) Using a screwdriver, pry out the oil seal.



(b) Using SST and a press, install a new oil seal.

SST 09608-20012 (09608-03020, 09608-00080)

**Drive in depth:**

**11.4-12.0 mm (0.449-0.472 in.) from retainer.**