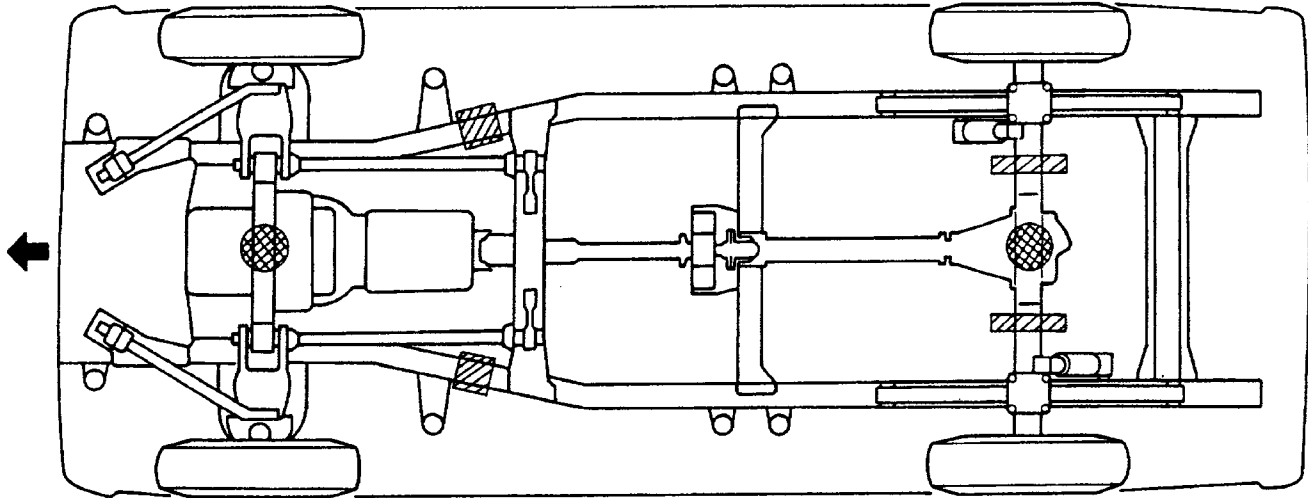


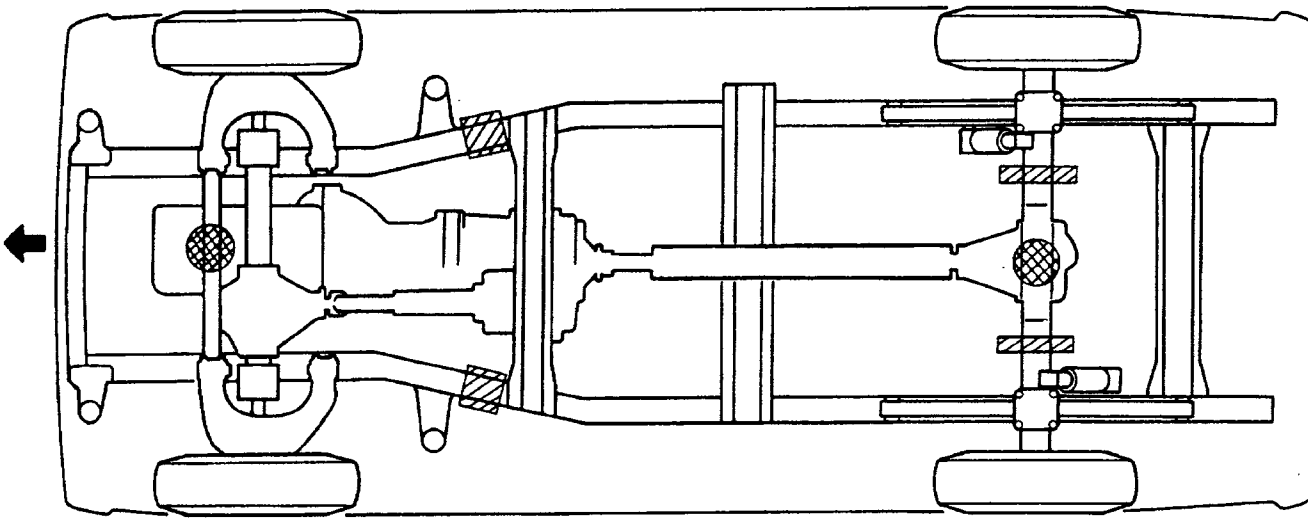
VEHICLE LIFT AND SUPPORT LOCATIONS


IN007-01

[2WD]



[4WD]



JACK POSITION 

Front Center of crossmember

Rear Under the rear differential

SUPPORT POSITION

Safety stand 

IN0012
IN0108

Z04590