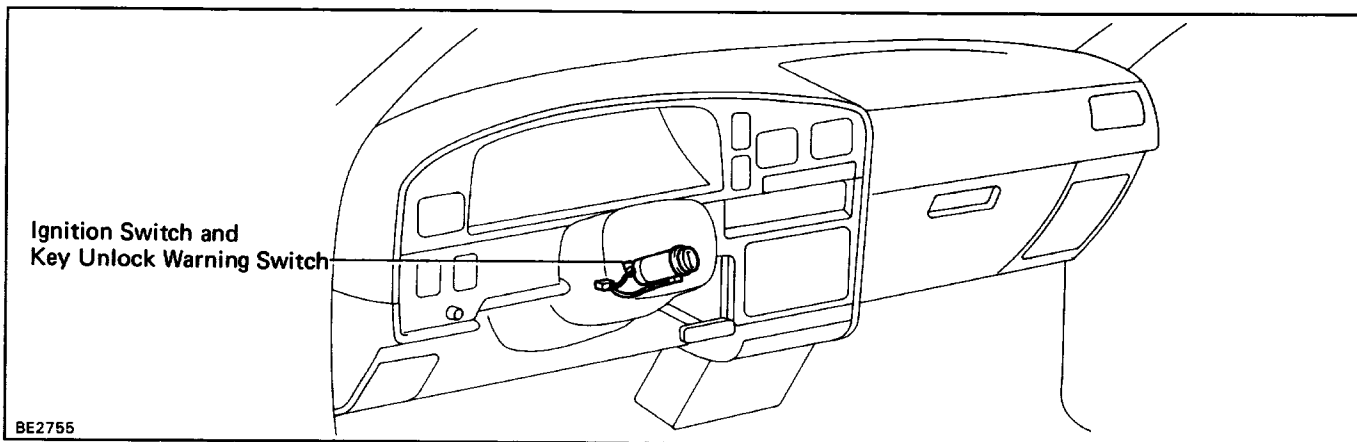
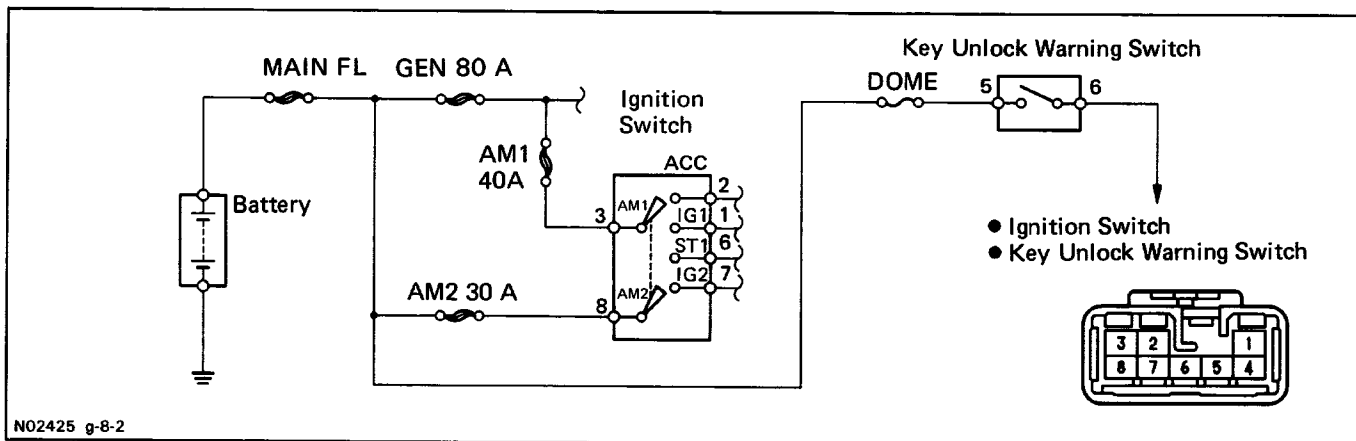


IGNITION SWITCH Parts Location



Wiring and Connector Diagrams



Parts Inspection

Ignition System

INSPECT SWITCH

(Ignition Switch /Continuity)

Terminal Switch position	1	2	3	6	7	8
LOCK						
ACC		○	○			
ON	○	○	○		○	○
START	○		○	○	○	○

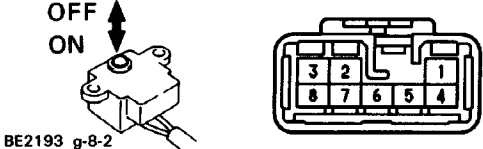

BE0900 g-8-2

If continuity is not as specified, replace the switch.

Key Confine Prevention System

1. INSPECT SWITCH

(Key Unlock Warning Switch/Continuity)

	Terminal		
	Switch position	3	4
	OFF (Key removed)		
ON (Key set)			

(Door Courtesy Switch/Continuity)

See step 2 on page [BE-42](#).

If continuity is not as specified, replace the switch.

2. INSPECT RELAY

See step 3 of Integration Relay on page [BE-42](#).