

## COOLING UNIT

(SEE PAGE AC-7)

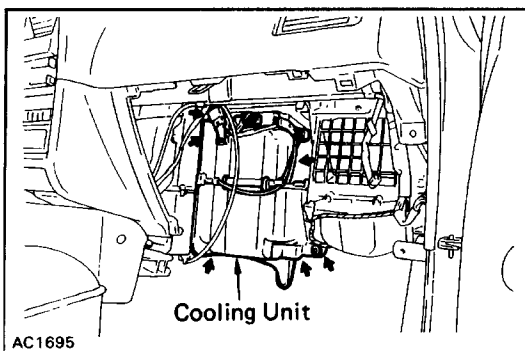
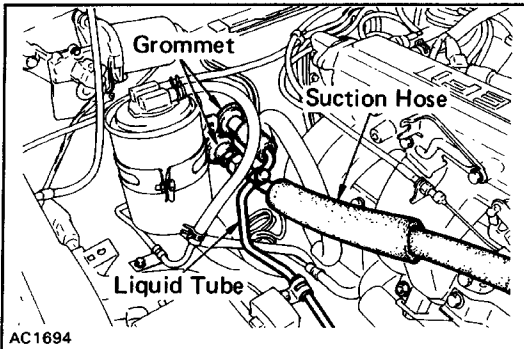
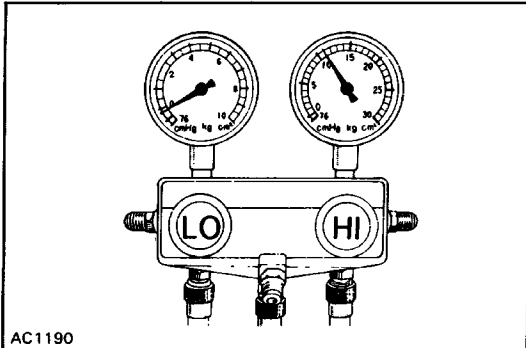
### ON-VEHICLE INSPECTION OF EXPANSION VALVE

1. CHECK QUANTITY OF REFRIGERANT GAS DURING REFRIGERATION CYCLE
2. INSTALL MANIFOLD GAUGE SET  
(See page AC-16)
3. RUN ENGINE

Run the engine at 2,000 rpm for at least 5 minutes.

4. CHECK EXPANSION VALVE

If the expansion valve is clogged, the low pressure reading will drop to 0 kPa (0 kgf/cm<sup>2</sup>, 0 psi) otherwise it is OK.



### REMOVAL OF COOLING UNIT

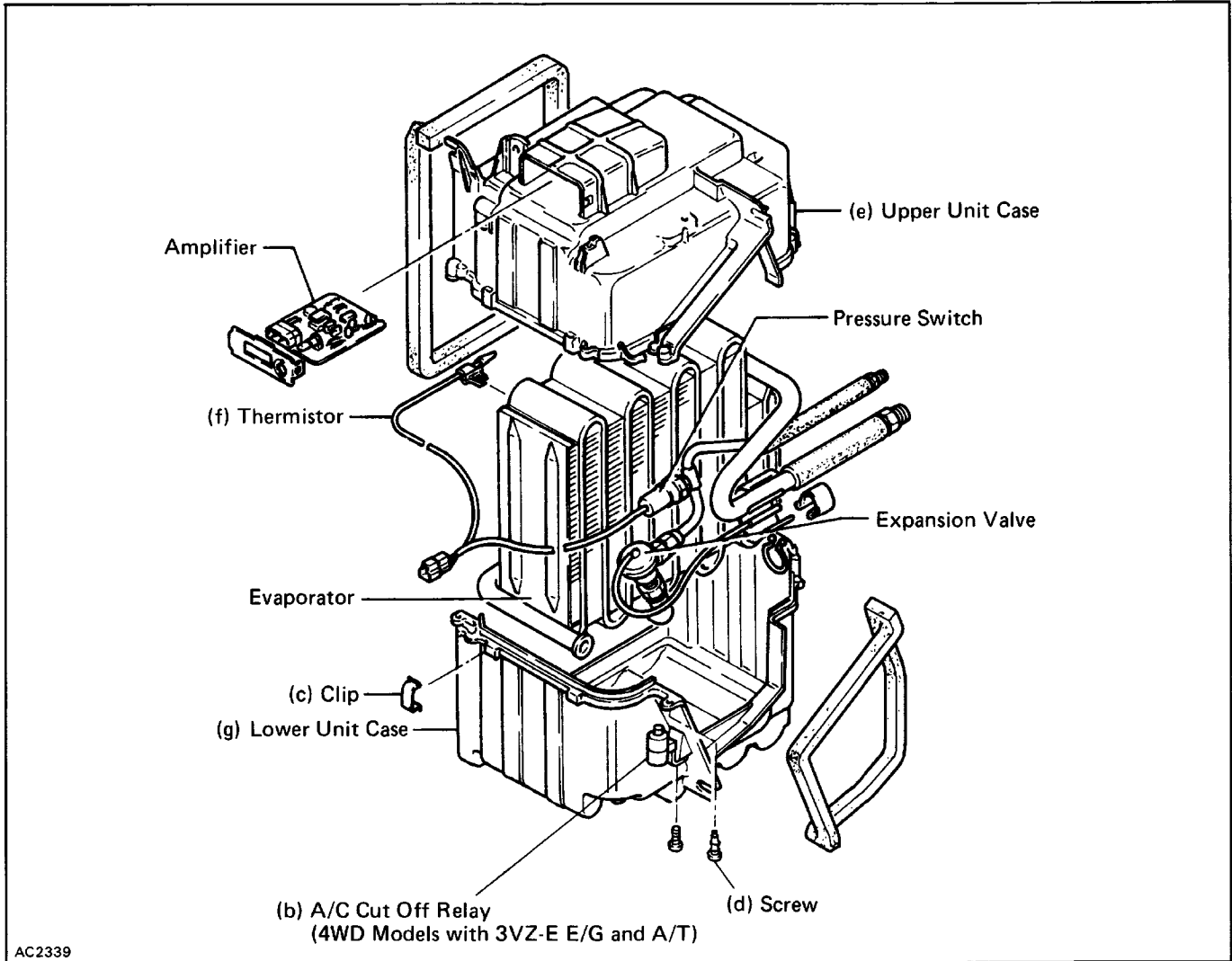
1. DISCONNECT NEGATIVE CABLE FROM BATTERY
2. RECOVER REFRIGERANT FROM REFRIGERATION SYSTEM
3. DISCONNECT SUCTION TUBE FROM COOLING UNIT OUTLET FITTING
4. DISCONNECT LIQUID TUBE FROM COOLING UNIT INLET FITTING

HINT: Cap the open fittings immediately to keep moisture out of the system.

5. REMOVE GROMMETS FROM INLET AND OUTLET FITTINGS
6. REMOVE GLOVE BOX
7. DISCONNECT CONNECTOR
8. REMOVE COOLING UNIT

Remove the five screws and a nut.

## DISASSEMBLY OF COOLING UNIT

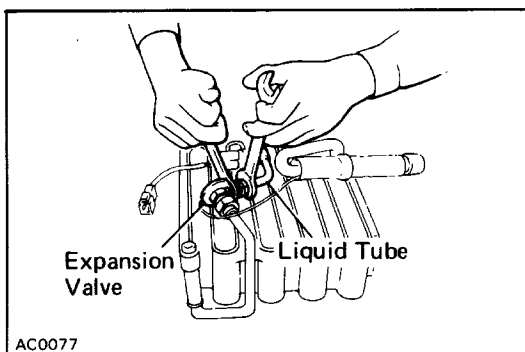


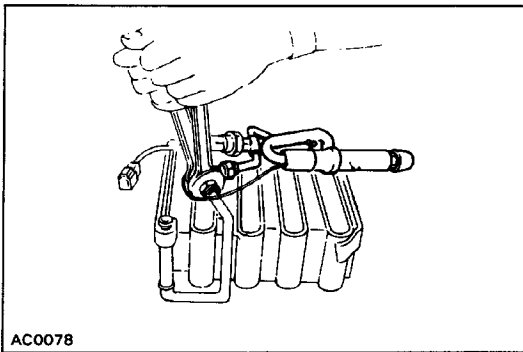
### 1. REMOVE LOWER AND UPPER UNIT CASES

- Disconnect connector.
- Remove A/C cut off relay (4WD with 3VZ-E E/G and A/T)
- Remove four clips.
- Remove four screws.
- Remove upper unit case.
- Remove thermistor with thermistor holder.
- Remove lower unit case.

### 2. REMOVE EXPANSION VALVE

- Disconnect the liquid tube from the inlet fitting of the expansion valve.
- Remove the packing and heat sensing tube from suction tube of evaporator.





(c) Remove expansion valve.

## Evaporator

### INSPECTION OF EVAPORATOR

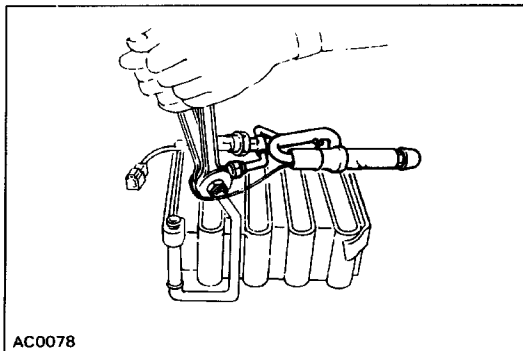
#### 1. CHECK EVAPORATOR FINS FOR BLOCKAGE

If the fins are clogged, clean them with compressed air.

**NOTICE:** Never use water to clean the evaporator.

#### 2. CHECK FITTINGS FOR CRACKS OR SCRATCHES

Repair as necessary.



## ASSEMBLY OF COOLING UNIT

### INSTALL COMPONENTS ON EVAPORATOR

(a) Connect the expansion valve to the inlet fitting of the evaporator. Torque the nut.

**Torque: 23 N · m (235 kgf · cm, 17 ft · lbf)**

**HINT:** Be sure that the O-rings are positioned on the tube fitting.

(b) Install the holder to the suction tube with heat sensitizing tube.

(c) Connect the liquid tube to the inlet fitting of the expansion valve. Torque the nut.

**Torque: 13 N · m (135 kgf · cm, 10 ft · lbf)**

(d) Install lower unit case to the evaporator.

(e) Install thermistor to the evaporator.

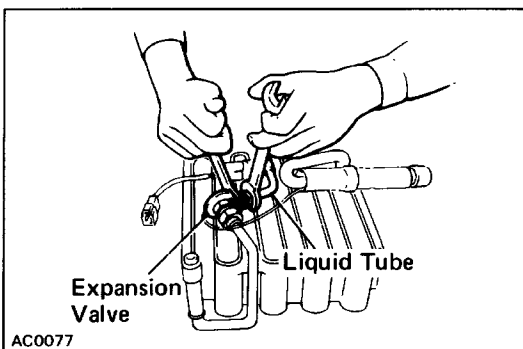
(f) Install upper unit case

(g) Install four screws.

(h) Install four clips.

(i) Install A/C cut off relay.

(j) Connect connectors.



### INSTALLATION OF COOLING UNIT

#### 1. INSTALL COOLING UNIT

Install the cooling unit with four screws and a bolt.

#### 2. CONNECT CONNECTOR

#### 3. INSTALL GLOVE BOX AND REINFORCEMENT